

# BIS Hanger Bolts

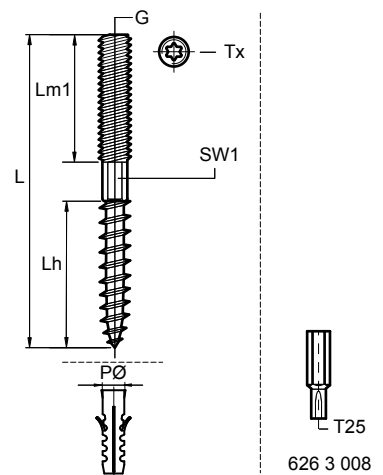
fixing to wall or ceiling



## Features and Benefits

- with hexagon for fine setting
- material: steel
- zinc plated

| Part No.  | G   | L      | Lh<br>(mm) | Lm1<br>(mm) | PØ<br>(mm) | SW1<br>(mm) | Tx | Pack 1 | Pack 2 |
|-----------|-----|--------|------------|-------------|------------|-------------|----|--------|--------|
| 626 3 606 | M6  | 60 mm  | 35         | 25          | 8          | -           | -  | 100    | 1.000  |
| 626 3 609 | M6  | 90 mm  | 30         | 30          | 8          | -           | -  | 100    | 1.000  |
| 626 3 612 | M6  | 120 mm | 30         | 30          | 8          | -           | -  | 100    | 1.000  |
| 626 3 615 | M6  | 150 mm | 30         | 45          | 8          | -           | -  | 100    | 1.000  |
| 626 3 805 | M8  | 50 mm  | 35         | 15          | 10         | -           | 25 | 100    | 1.000  |
| 626 3 806 | M8  | 60 mm  | 30         | 20          | 10         | 6           | 25 | 100    | 1.000  |
| 626 3 808 | M8  | 80 mm  | 35         | 35          | 10         | 6           | 25 | 100    | 1.000  |
| 626 3 810 | M8  | 100 mm | 50         | 40          | 10         | 6           | 25 | 100    | 1.000  |
| 626 3 812 | M8  | 120 mm | 50         | 40          | 10         | 6           | 25 | 100    | 500    |
| 626 3 815 | M8  | 150 mm | 50         | 50          | 10         | 6           | 25 | 50     | 500    |
| 626 3 816 | M8  | 160 mm | 60         | 40          | 10         | 6           | 25 | 50     | 250    |
| 626 3 818 | M8  | 180 mm | 60         | 40          | 10         | 6           | 25 | 50     | 250    |
| 626 3 820 | M8  | 200 mm | 50         | 50          | 10         | 6           | 25 | 50     | 250    |
| 628 3 006 | M10 | 60 mm  | 35         | 15          | 12         | 8           | 25 | 50     | 500    |
| 628 3 008 | M10 | 80 mm  | 35         | 35          | 12         | 8           | 25 | 50     | 500    |
| 628 3 010 | M10 | 100 mm | 50         | 40          | 12         | 8           | 25 | 50     | 500    |
| 628 3 011 | M10 | 110 mm | 50         | 40          | 12         | 8           | 25 | 50     | 500    |
| 628 3 012 | M10 | 120 mm | 50         | 40          | 12         | 8           | 25 | 50     | 500    |
| 628 3 014 | M10 | 140 mm | 50         | 40          | 12         | 8           | 25 | 50     | 500    |
| 628 3 018 | M10 | 180 mm | 55         | 60          | 12         | 8           | 25 | 50     | 250    |
| 628 3 020 | M10 | 200 mm | 55         | 40          | 12         | 8           | 25 | 50     | 250    |
| 628 3 210 | M12 | 100 mm | 45         | 25          | 12         | 10          | -  | 50     | -      |
| 628 3 212 | M12 | 120 mm | 60         | 35          | 12         | 10          | -  | 50     | 250    |
| 628 3 214 | M12 | 140 mm | 60         | 35          | 12         | 10          | -  | 50     | -      |
| 626 3 008 | -   | -      | -          | -           | -          | -           | 25 | 250    | 4000   |



### Complementary

|                 |     |
|-----------------|-----|
| BIS Nylon Plugs | 550 |
| BIS Star Plugs  | 552 |

Subject to modifications