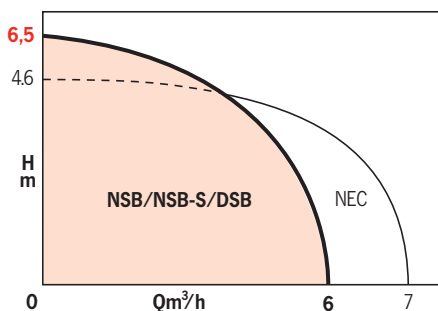


OPERATING LIMITS

| | |
|------------------------------|---------------------|
| Flow rates up to: | 6 m ³ /h |
| Heads up to: | 6,5 m |
| Max. operating pressure: | 10 bar |
| Max. loop temperature: | +80°C |
| Max. circulator temperature: | 110°C |
| Max. ambient temperature: | +40°C |
| Water hardness (TH): | 35°F |
| ND ports: | 15-20-25 |



ADVANTAGES

- **Water quality preserved:**
 - constant water renewal in rotor chamber;
 - choice of materials compatible with network;
 - DSB "Anti legionella" Infection System.
- **Anti-blocking system guaranteeing exceptional resistance to hard water, up to 35°F.**
- **Easier choice:**
 - 3 speed,
 - adaptation accessories enabling replacement without altering the piping.
- **DSB: continued availability of an emergency circulator with perfect irrigation of the domestic hot water loop due to the ALS system.**
 - Simultaneous operation possible in the case of increase in flow rate.
- **Automatic permutation possible through the Pump Management Unit (see specific instructions: MGP N° 300-88).**
- **For NSB-S: integrated and automatic motor overload protection.**



• DSB33-25B: distance between ports = 180 mm ØG1^{1/4}.
DSB33-25B with "BAG-ADAPT" distance between ports = 180 mm ØG2

NSB - NSB-S - DSB

SINGLE AND TWIN-HEADS CIRCULATORS

Bronze and stainless steel casings
Domestic secondary hot water range - 50 Hz

APPLICATIONS

This circulator is suitable for drinking water only.

Hot water accelerated circulation in distribution loops.

• Domestic installations and small commercial installations.

Hot water on opening tap.



• NSB 25-20B with ¹⁾ & without counter flanges ²⁾

1) assembled with CBOV3342, perfectly interchangeable with the old references SA15 (distance between ports = 158 mm)



• NSB 15-15B with ¹⁾ and without adapters ²⁾:
Dual assembly possible

1) NSB 15-15B with kit 150 = distance between ports 150 mm ØG1^{1/4}

2) NSB 15-15B = distance between ports 130 mm ØG1



DSB33-25B "Anti legionella" Infection System (ALS)

NSB-S: stainless steel ou NSB...B: bronze casing
DSB: bronze casing: a choice of material compatible with network

NSB - NSB-S - DSB

DESIGN

•Hydraulic part

Casing with threaded ports for direct assembly on piping:

- in bronze for assembly on copper piping (NSB and DSB) ;
- in stainless steel for assembly on galvanized piping (NSB-S).

Rotating parts in contact with water in anti-corrosive material.

Stainless steel ring at impeller seal.

DSB : single bronze casing with suction and discharge ports on the same axis.

DSB : check valve integrated with the "Anti legionella" Infection System.

•Motor

3 speed (NSB 05-15B single speed).

Manual speed change.

Wet rotor and self-lubricating bearing bushings.

Capacitor incorporated in the terminal.

Speed : see table

Winding 1-phase : 230 V

Frequency : 50 Hz (option 60 Hz)

Insulating category : F (155°C)

Conformity : CE

NSB-S Specific : IP 44

Immunity : EN 61000-6-2

Emission : EN 61000-6-3

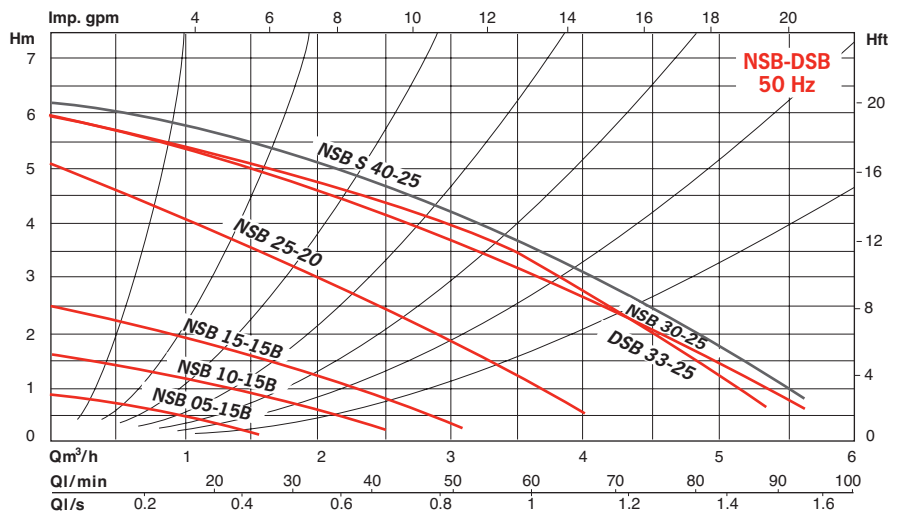
STANDARD CONSTRUCTION

| Main parts | Material |
|-------------------|--------------------|
| NSB...B | Bronze |
| Pump casing NSB-S | Stainless steel |
| DSB | Bronze |
| Impeller | Composite material |
| Impeller shaft | Ceramic |
| Bushings | Graphite |
| Can | Stainless steel |
| Leaktight seals | EPDM |

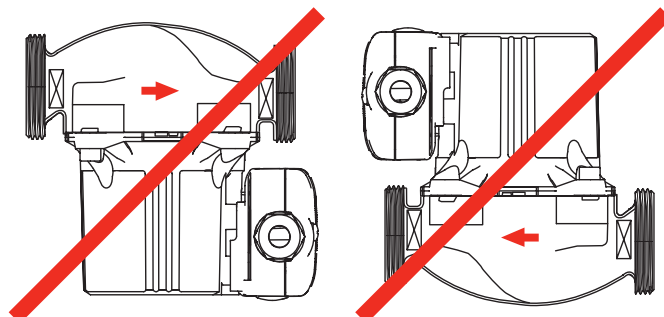
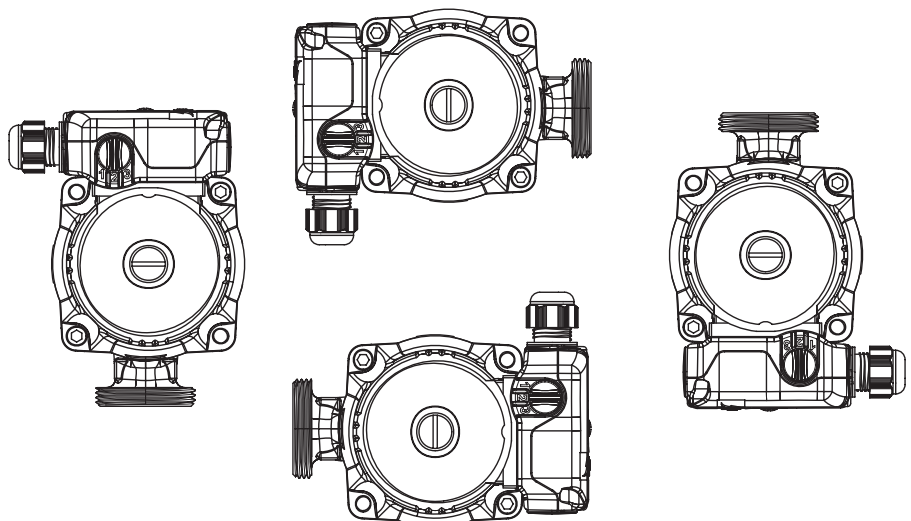
IDENTIFICATION

| | | |
|-------------------------------|------------|------------------|
| | NSB | 33 - 25 B |
| domestic range | - S - | |
| D : twin casing | | |
| N : single casing | | |
| Q nominal | | |
| Ø suction and discharge ports | | |
| Type of casing : | | |
| B = bronze | | |
| S = Stainless steel | | |

PRESELECTION CURVES AT MAXIMUM SPEED



FITTING POSITIONS

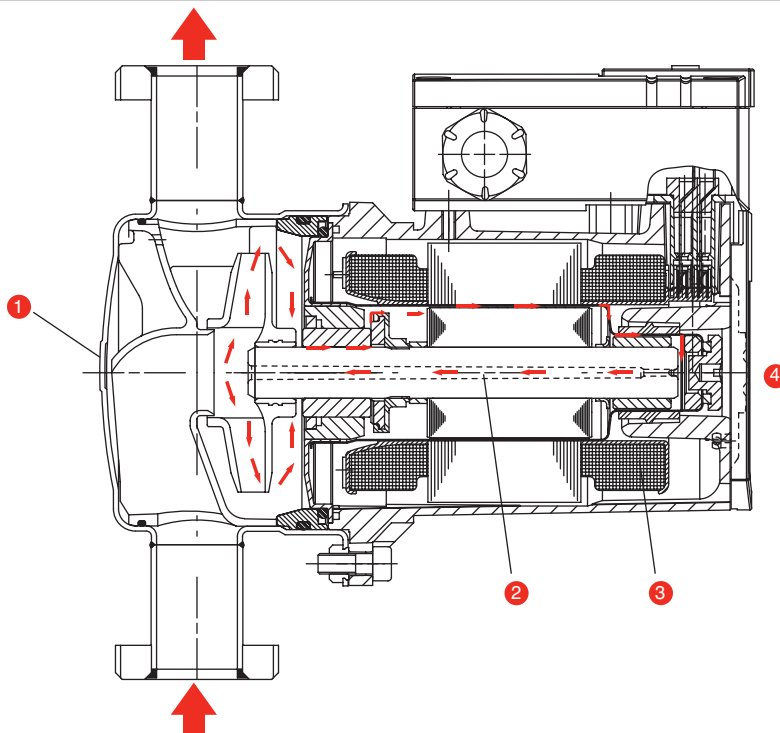


SECTIONAL DRAWINGS

• NSB-S

Interior of the single circulator

- 1 - Stainless steel casing proposed on wide diameter apparatus - compatibility with galvanized steel piping.
- 2 - Ceramic shaft:
 - constant renewal of water, temperature maintained above the threshold of lime precipitation.
- 3 - Stainless steel cartridge and rotor with a stainless steel sleeve.
- 4 - Integrated and automatic motor overload protection for running security.



• Twin circulator: principle of the anti-legionella infection system (ALS) (Patent pending).

Interior of the single circulator

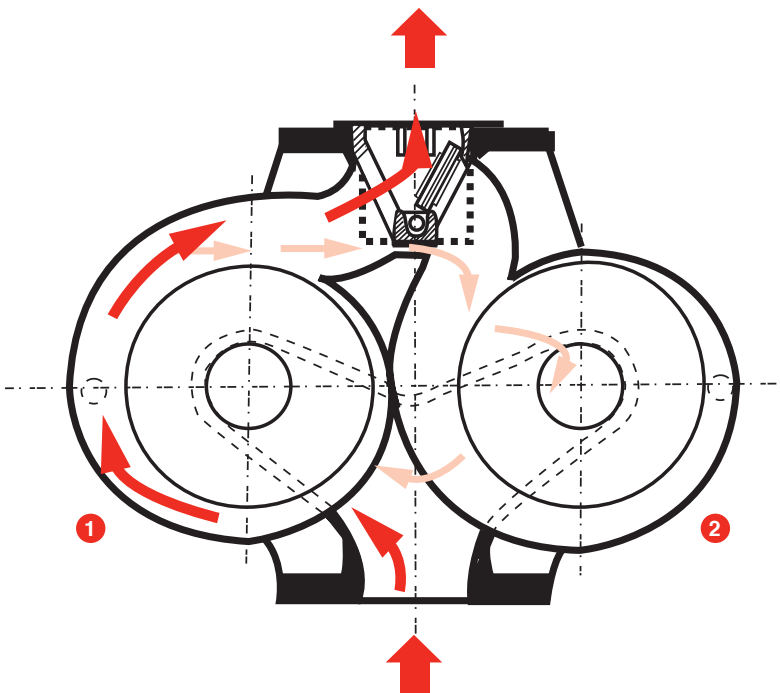
The ALS gives constant circulation and renewal of water in the hydraulic casing of the emergency circulator when its motor is shut down:

- no stagnant water (no ox-bow phenomenon);
- maintaining a steady temperature between the two circulator units which avoids formation of "legionella" infection in hot water installations adjusted to a normal operating temperature.

- 1 - Casing with motor in operation.
- 2 - Casing with motor shut down

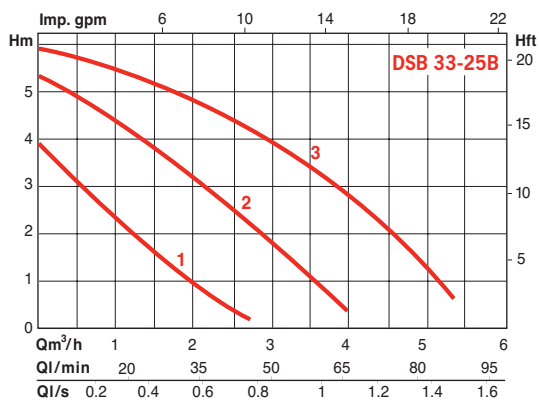
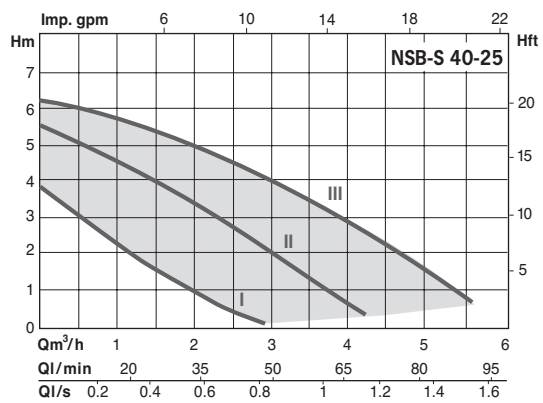
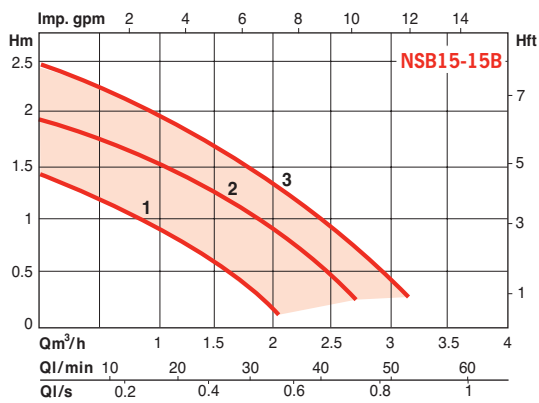
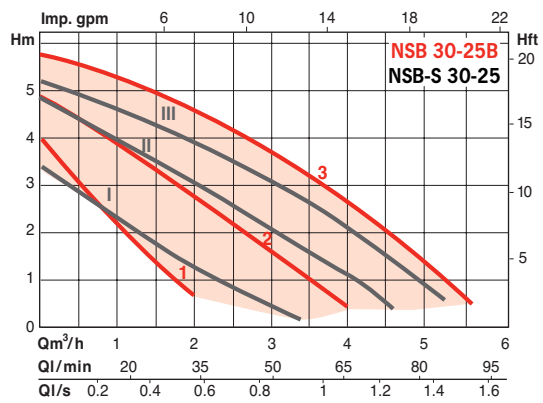
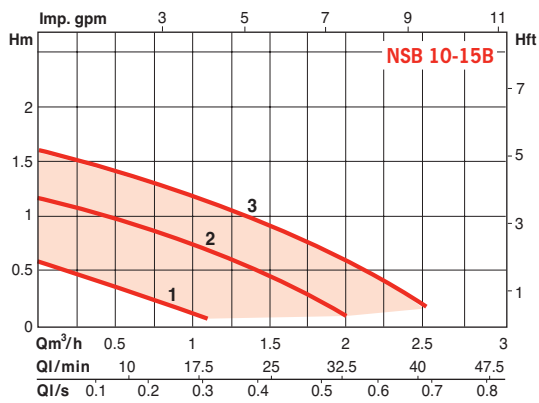
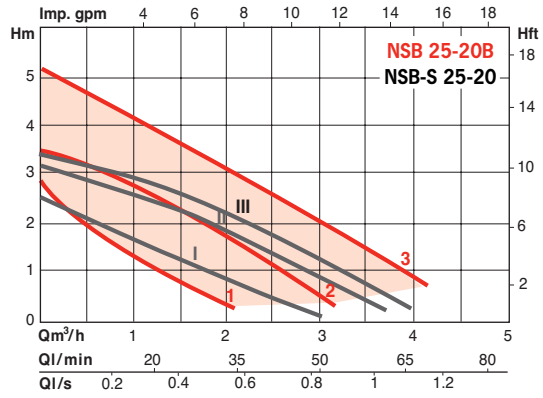
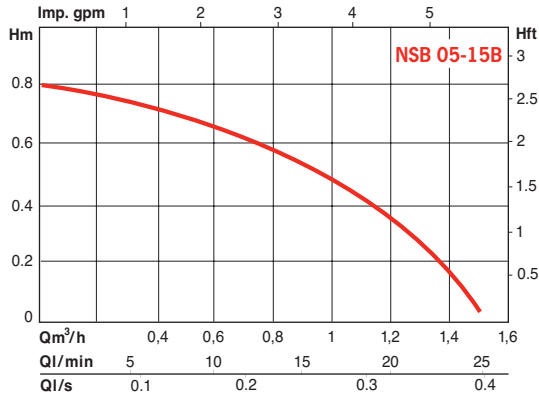
➔ - Water circulation in the domestic hot water loop.

➔ - ALS water circulation.

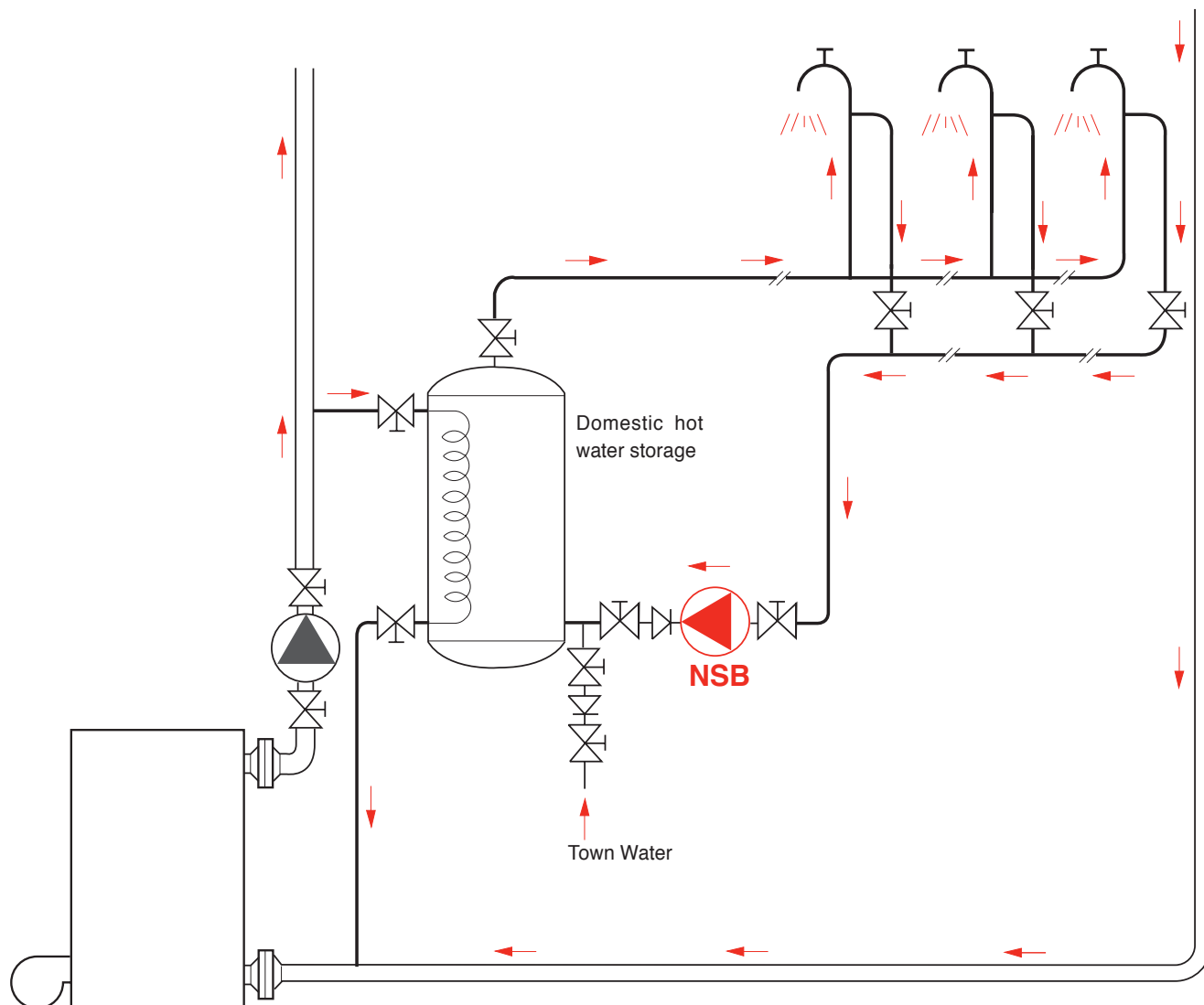


NSB - NSB-S - DSB

HYDRAULIC PERFORMANCES



INSTALLATION DIAGRAM



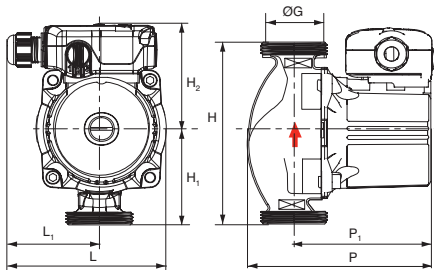
Domestic hot water distribution loop:

- Loop maximum temperature 60° C (according to Standard Local Rule).
- Recommended flow speed between 0.5 and 1 m/s maximum.
- Circulator assembled on the backflow of the loop, after the drawing points.

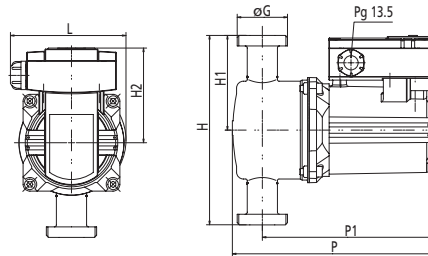
NSB - NSB-S - DSB

ELECTRICAL DATA AND DIMENSIONS

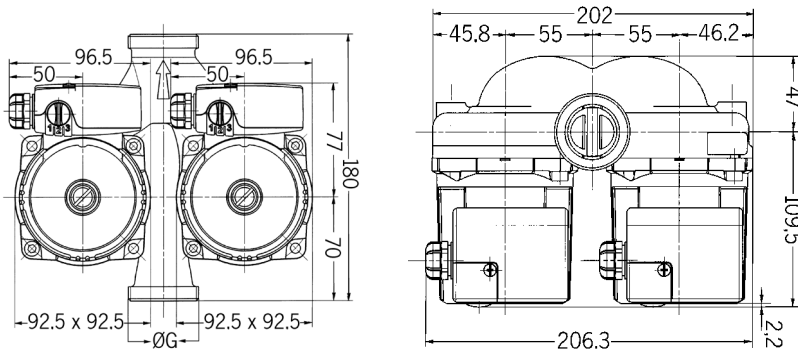
NSB-B bronze casing



NSB-S stainless casing



DSB bronze casing



FEATURES

a) Electrical

- Single-phase 230 V, 50 Hz with capacitor integrated in the terminal box.

b) Installation

- Motor shaft always horizontal.

Connection with the network :

Depending on the model :

- Copper unions (R) to be welded, or brass unions to be screwed (RU brass) on copper piping,

- Steel unions to be screwed (RU) on galvanized steel piping.

c) Conditionnement

- With gaskets, without union.

d) Maintenance

- Standard exchange of the assembly.

OPTIONS & ACCESSORIES

- Unions.
- NP6 oval screw-on counter flanges to be screwed.
- Check valve.
- Isolating valves.

| ORDER REFERENCE | speed selector position | Moteur | | | | Pompe | | | | | | | | | | connection by | standard assembly |
|-----------------|-------------------------|-----------|------|--------------------|----------------------------|-------|------|-------------|-------|-------|-------|-------|---------|--------------------|--|---------------|-------------------|
| | | Speed rpm | P1 W | nominal amperage A | capacitor capacity μF | H mm | P mm | L B.A.B. mm | L1 mm | P1 mm | H2 mm | H1 mm | mass kg | $\varnothing G$ mm | | | |
| NSB05-15B | - | 1850 | 30 | 0,15 | 1,6 x 400 V | 130 | 129 | 96 | 74 | 96 | 73 | 65 | 2 | G1 | R2022 or RU1521 brass | 9h | |
| | 1 | 1000 | 20 | 0,10 | | | | | | | | | | | | | |
| NSB10-15B | 2 | 1600 | 32 | 0,15 | 1,6 x 400 V | 130 | 130 | 96 | 74 | 96 | 74 | 65 | 2 | G1 | R2022 or RU1521 brass | 9h | |
| | 3 | 2000 | 48 | 0,22 | | | | | | | | | | | | | |
| NSB15-15B | 1 | 1700 | 27 | 0,12 | 2 x 400 V | 130 | 130 | 96 | 74 | 96 | 74 | 65 | 2 | G1 | R2022 or RU1521 brass | 9h | |
| | 3 | 2500 | 56 | 0,24 | | | | | | | | | | | | | |
| NSB25-20B | 1 | 1000 | 45 | 0,20 | 2,6 x 400 V | 158 | 132 | 123 | 77 | 96 | 77 | 79 | 2,4 | G1 ^{1/4} | R2022/2628 or RU2027 brass or CBOV3342 | 9h | |
| | 3 | 1950 | 89 | 0,39 | | | | | | | | | | | | | |
| NSB30-25B | 1 | 1150 | 70 | 0,32 | 2,6 x 400 V | 180 | 145 | 96 | 77 | 109 | 77 | 90 | 2,8 | G1 ^{1/2} | RED2027 brass or RU2634 brass | 12h | |
| | 3 | 2300 | 114 | 0,50 | | | | | | | | | | | | | |
| NSB-S 25-20 | 1 | 2100 | 65 | 0,35 | 3,7 x 400 V | 158 | 191 | 110 | - | 163 | 90 | 79 | 3 | G1 ^{1/4} | RU2027 | 12h | |
| | 3 | 2790 | 105 | 0,50 | | | | | | | | | | | | | |
| NSB-S 30-25 | 1 | 1750 | 105 | 0,55 | 5,0 x 400 V | 180 | 191 | 110 | - | 163 | 90 | 90 | 3 | G1 ^{1/2} | RU2634 | 12h | |
| | 3 | 2670 | 170 | 0,85 | | | | | | | | | | | | | |
| NSB-S 40-25 | 1 | 1260 | 120 | 0,65 | 5,0 x 400 V | 180 | 191 | 110 | - | 163 | 90 | 90 | 3,4 | G1 ^{1/2} | RED2027 or RU2634 | 12h | |
| | 3 | 2390 | 200 | 1,00 | | | | | | | | | | | | | |
| DSB33-25B | 1 | 1400 | 70 | 0,32 | 3,5 x 400 V | | | | | | | | | G1 ^{1/2} | RED2027 or RU2634 brass | 12h | |
| | 3 | 2500 | 128 | 0,56 | | | | | | | | | | | | | (See drawing) |

* also available in H = 150 mm $\varnothing G$ 1^{1/4}