

EuroPlan/EuroProfil Panel radiators



SHAPELY HEATING COMFORT

Low temperature panel radiators for convenient heating.
Easy installation using the Multi-Fix mounting system.



...better with Brötje

EVEN LESS IS EVEN MORE

2

A good heating system makes your house a true home – all the more when the visible elements of your heating system harmoniously match your interior design. Those who prefer an unobtrusive design without compromising functionality should go for EuroPlan radiators. The classic, straight, rectangular shape, which is nicely softened by smoothly rounded edges, stands out from the monotonous appearance of conventional radiators. This not only goes for the design but also for the workmanship: The smooth surface has no seams, ridges or weld spots. The high-grade powder stove-enamel finish gives a regal design and a long service life, and the invisible fasteners provide an impression of airiness.

The heat output can be adjusted to exactly suit individual needs. Installation is faster than ever using the BRÖTJE Multi-Fix mounting system. EuroPlan Excellent comes with a valve set as well as a valve insert with integral k_v control. A range of thermostats can be obtained from specialised dealers. Whether working on a new building or modernising an old one: now is the time to make it better. It's better with BRÖTJE.



The BRÖTJE EuroPlan panel radiators are available in the designs Kompakt and Excellent. Besides their superior design, they offer a special advantage: With their smoothly rounded, soft edges, they are excellently suited for public buildings, schools and nurseries.



CLASSICAL DESIGN THAT STANDS OUT FROM THE ORDINARY.

4

With their favourable proportions of radiation and convection, the classical BRÖTJE EuroProfil panel radiators not only produce a pleasing, homogeneous room climate, but their elegant design meets even exacting aesthetic demands.

The large range of models includes a suitable radiator for any room, thereby complying with individual, particular heating requirements.



EuroProfil Standard:

Low space requirement thanks to an extremely flat design. Clear, timelessly elegant profile.

EuroProfil Kompakt:

Similar to EuroProfil Standard, but with smoothly rounded blinds and a top cover. All blinds can be removed for easy and convenient cleaning.



EuroProfil Excellent:

Similar to EuroProfil Kompakt. Comes with a set of valves for double pipe systems and a valve insert with integral k_v control.



EuroPlan / EuroProfil

FUNCTIONING AT IT'S BEST

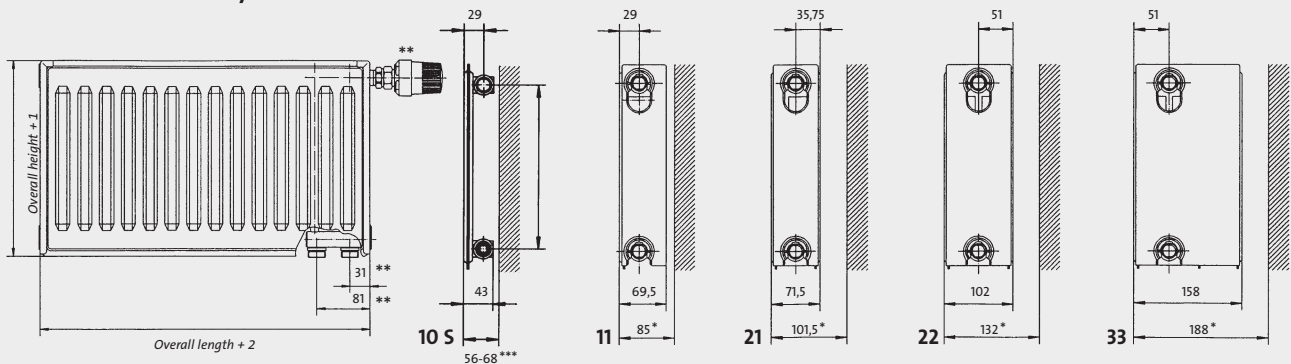
6

Swift and easy.

The BRÖTJE Multi-Fix mounting system enables extremely swift and clean installation and offers a range of other benefits: The fasteners can be adjusted horizontally. There are two possibilities of height adjustment. If needed, additional fasteners may be provided. The radiator may even be rotated. Furthermore, the covers can be conveniently removed so that cleaning is a breeze.



Dimensions EuroPlan/EuroProfil



* Installation dimensions when using BRÖTJE Multi-Fix mounting system. **In standard version, connection of flat valve radiators (Excellent) is on the right (connection on the left as tailored design). *** "Spacer set" required as accessories for Multi-Fix mounting system. Subject to technical modifications and errors.

Flexible use

BRÖTJE flat valve radiators of the Excellent series are supplied with six connections so that they may act as multifunction panel radiators. When needed, they can be swiftly used as "Kompakt" panel radiators simply by removing the valve insert and by sealing the lower connections with brass caps (accessories). All flat valve radiators made by BRÖTJE come with mounted valve insert as well as a sealed blind and a bleeding plug.



TECHNICAL DATA:

EuroProfil Standard/Kompakt/Excellent	10 S	11 K/11 E	21 K/21 E	22 K/22 E	33 K/33 E
GZ-reg.-no.	L 0132	L 0136	L 0308	L 0138	L 0140
Overall height 300 (mm) and W/m 70/55/20°C*	253	398	597	764	1063
Overall height 300 (mm) and W/m 55/45/20°C*	161	251	379	483	673
Overall height 400 (mm) and W/m 70/55/20°C*	331	529	763	981	1363
Overall height 400 (mm) and W/m 55/45/20°C*	212	334	485	619	862
Overall height 500 (mm) and W/m 70/55/20°C*	408	653	923	1185	1641
Overall height 500 (mm) and W/m 55/45/20°C*	261	412	587	747	1038
Overall height 600 (mm) and W/m 70/55/20°C*	483	773	1081	1385	1908
Overall height 600 (mm) and W/m 55/45/20°C*	309	489	689	872	1206
Overall height 900 (mm) and W/m 70/55/20°C*	704	1083	1518	1925	2602
Overall height 900 (mm) and W/m 55/45/20°C*	451	683	969	1206	1644

* Rated heat output to DIN EN 442. The lateral blinds as well as the top cover of EuroPlan and EuroProfil have been taken into consideration. Subject to technical changes and errors.

EuroPlan Kompakt/Plus Excellent	11 KP/11 EP	21 KP/21 EP	22 KP/22 EP	33 KP/33 EP
GZ reg. no.	L 0142	L 0309	L 0144	L 0146
Overall height 300 (mm) and W/m 70/55/20°C*	362	566	730	1052
Overall height 300 (mm) and W/m 55/45/20°C*	229	360	457	670
Overall height 400 (mm) and W/m 70/55/20°C*	481	744	946	1349
Overall height 400 (mm) and W/m 55/45/20°C*	305	475	596	856
Overall height 500 (mm) and W/m 70/55/20°C*	592	917	1146	1622
Overall height 500 (mm) and W/m 55/45/20°C*	377	585	723	1026
Overall height 600 (mm) and W/m 70/55/20°C*	695	1022	1328	1871
Overall height 600 (mm) and W/m 55/45/20°C*	444	652	838	1181
Overall height 900 (mm) and W/m 70/55/20°C*	942	1387	1770	2477
Overall height 900 (mm) and W/m 55/45/20°C*	595	883	1098	1525

* Rated heat output to DIN EN 442. Subject to technical changes and errors.

Suitable for all heating systems

EuroProfil Excellent and EuroPlan Excellent come with fittings for double pipe systems. Screw fittings for installation in single pipe systems can be obtained from specialised dealers. For operation in single pipe systems, the radiators may be heated with the valve being closed by the heat in the bypass line. Using a valve insert with integral k_v control, these radiators may be easily adjusted to the pressure of your heating system.

Well protected right from the start

All BRÖTJE radiators are thoroughly degreased, phosphatised, flushed three times and then dried before applying an electrolytic dip priming, which clearly exceeds the primer treatment as provided for by DIN 55 900. After stove-enamelling the primer at 160°C, the radiators are provided with a high-grade powder stove-enamel finish (190°C) in RAL 9016 (traffic white). This ensures a solid, durable surface with a long service life.

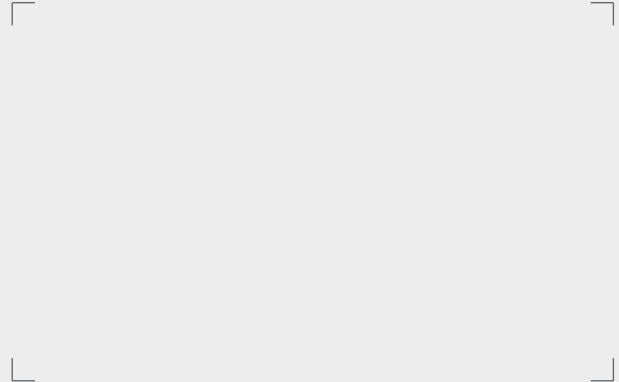


Valve insert with integral k_v control, suitable for various thermostats.

BRÖTJE – FOR MORE THAN 80 YEARS A HALLMARK FOR HIGH PERFORMANCE

Established in 1919, BRÖTJE today is one of the leading brands whenever cosy warmth and hot water are needed. With many advanced developments – in particular in the field of condensing technology – BRÖTJE have time and time again demonstrated their innovative spirit and capability. They have been awarded the mark of "very good" by Stiftung Warentest for their heat generators on three occasions. Since 1999, BRÖTJE have been a member of BAXI GROUP Ltd., one of Europe's major groups involved in advanced heating technology. With a total of 28 sites in 10 countries, innovative products to the highest state of the art will continue to be guaranteed in the future.

Your BRÖTJE dealer



Product quality

BRÖTJE products are tested according to a stringent company standard and strict quality requirements that go far beyond the standards commonly used. As early as in the development phase of our products, we insist on the highest quality of single components which are constantly monitored throughout production up to final testing.

Everything's BRÖTJE – everything's perfect.

From gas, oil or wood-fired boilers to solar systems with collectors on or inside the roof to well-designed flat or towel radiators, BRÖTJE offer great quality and a wide range of matching components.

