

# TRAPT-58



**A high performance  
compact trap**



***valsir***<sup>®</sup>  
QUALITY FOR PLUMBING

# TRAPT-58

## The shallow trap for the most testing situations



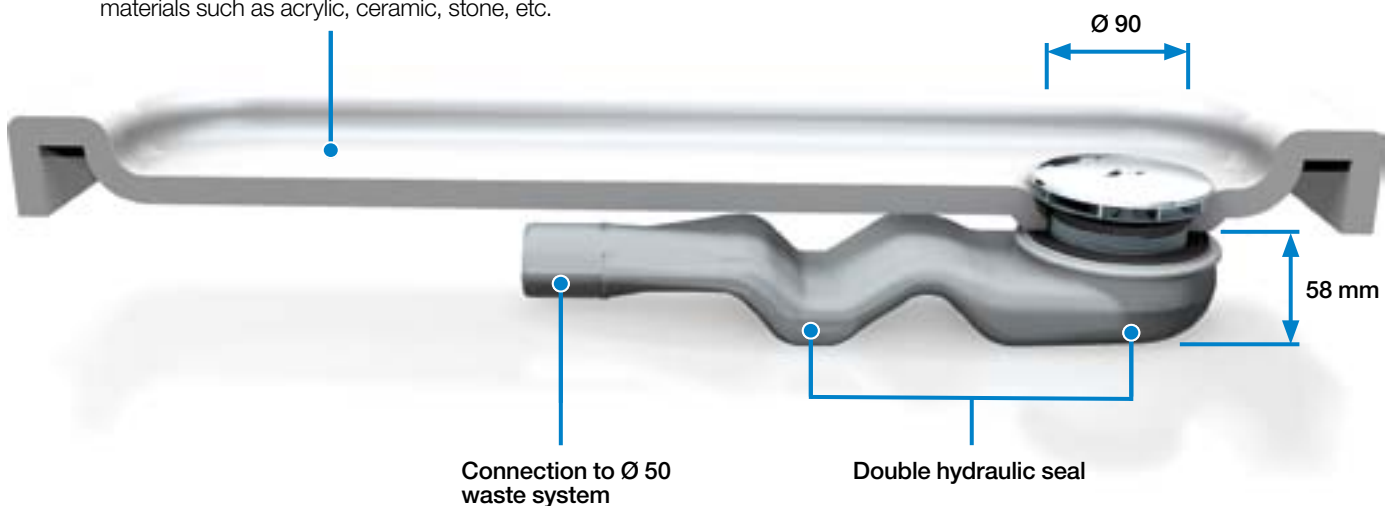
The T-58 shallow trap produced by Valsir is the ideal solution in installations where the depth destined to installation of the system is limited, for example in renovation jobs.

When using the T-58 shallow trap there's no need to create space in the floor slab to house the trap.

## Solution for shower trays

Compatible with all shower trays with hole diameter of 90 mm, guarantees high performance also when used with the most modern designer showers.

**Different forms**, types and shower tray materials such as acrylic, ceramic, stone, etc.



## Characteristics

- **Trap height just 58 mm**, including the seal.
- **Double the flow as compared with traditional products**, (in compliance with standard EN 274), the flow rate of 48 l/min allows use with high pressure shower heads.
- **High odour resistance** (700 Pa), well above that of standard requirements (400 Pa in compliance with EN 1253).
- **Double hydraulic seal.**
- **Completely accessible**: normal cleaning operations are carried out rapidly and easily.

## Solution with shower sheet

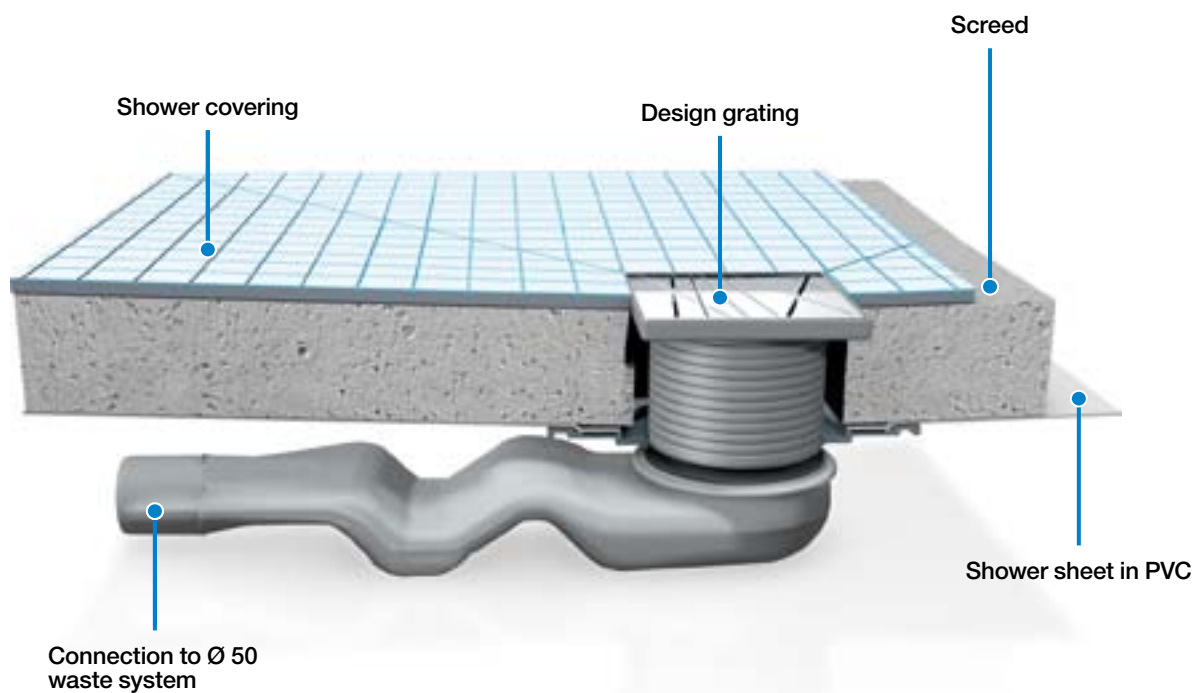
The T-58 shallow trap with shower sheet in PVC is the ideal solution for creating floor even showers, a guarantee of water tightness and seal.

The T-58 shallow trap is the **perfect technical solution** for creating showers in nursing homes, clinics, hospitals, retirement homes and in all environments **where the absence of architectural barriers is required** to offer maximum accessibility

to people with reduced mobility and wheelchair users.

Main characteristics:

- sheet availability 1200x1800 mm;
- compatibility with Design shower gratings;
- presence of height adjustable grating support for installations from 85 to 150 mm.



## Compatibility

The T-58 shallow trap is compatible with main waste systems, whether they are made of HDPE polyethylene, polypropylene PP/PP3, Triplus®, Silere® or PVC.

PLUMBING

WASTE SYSTEMS



SUPPLY SYSTEMS



GAS SYSTEMS



FLUSHING SYSTEMS



BATHROOM SYSTEMS



TRAPS



RADIANT SYSTEMS



DRAINAGE SYSTEMS



HRV SYSTEM



ACADEMY



SEWER SYSTEMS



WATER TREATMENT



BUILDING

**valsir**<sup>®</sup>  
QUALITY FOR PLUMBING

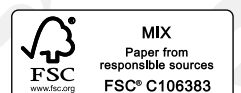
L02-61771 - Febbraio 2019



**VALSIR S.p.A.** - Società a Socio Unico

Località Merlaro, 2  
25078 Vestone (BS) - Italy  
Tel. +39 0365 877.011  
Fax +39 0365 81.268  
e-mail: [valsir@valsir.it](mailto:valsir@valsir.it)

**[www.valsir.it](http://www.valsir.it)**



Soggetta all'attività di direzione e coordinamento ex art. 2497 bis C.C. da parte di Silmar Group S.p.A. - Codice Fiscale 02075160172

# TECHNICAL DATA SHEET

**VALSIR® TRAPS**

## T-58



***valsir***®  
QUALITY FOR PLUMBING

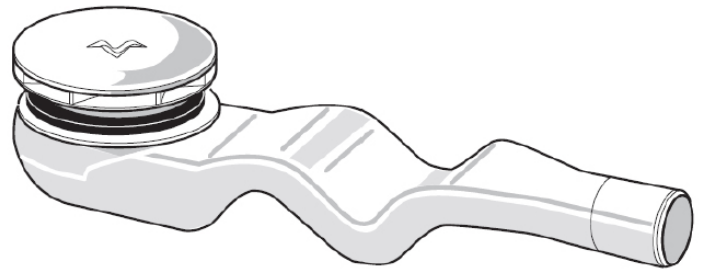
# TRAP T-58

## MODEL: Shallow trap

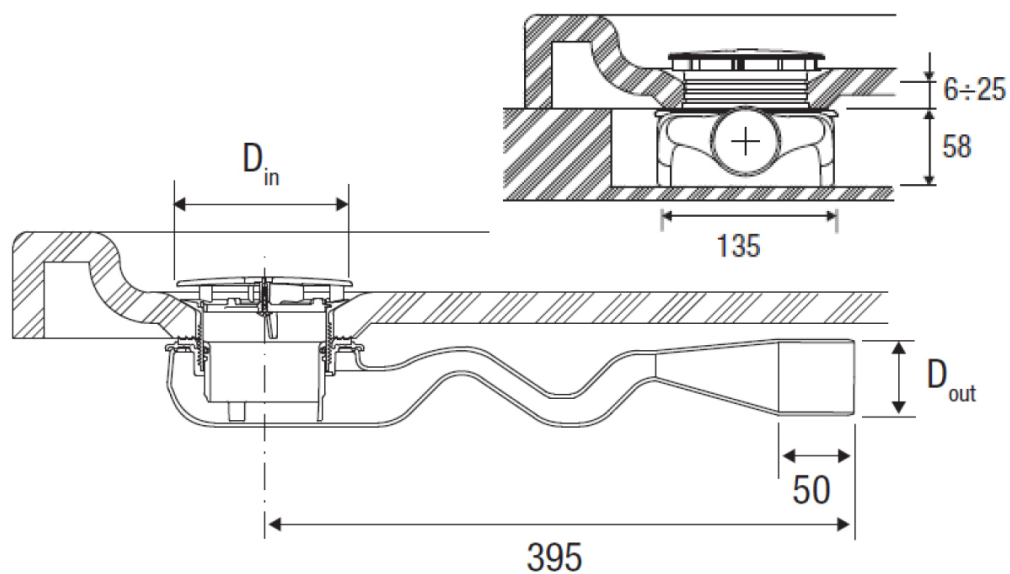
Valsir T-58 is a shallow trap made of polypropylene (PP).  
The trap has a double water seal with a pressure resistance of 700 Pa.  
The maximum flow rate is 49.2 l/min.

### Charateristics

|                  |                        |
|------------------|------------------------|
| Codes:           | VS0700291<br>VS0700293 |
| Raw material:    | Polypropylene (PP)     |
| Minimum height:  | 58 mm                  |
| Inlet diameter:  | 90 mm                  |
| Outlet diameter: | 50 mm                  |
| Flow rate:       | 0.82 l/s               |



### Size:



# TRAP T-58

## MODEL: Shallow trap with PVC waterproofing membrane

Valsir T-58 is a shallow trap made of polypropylene (PP).

The trap has a double water seal with a pressure resistance of 700 Pa.

The maximum flow rate is 49.2 l/min.

T-58 is provided with 1 mm thick PVC waterproofing membrane with central hole and flange.

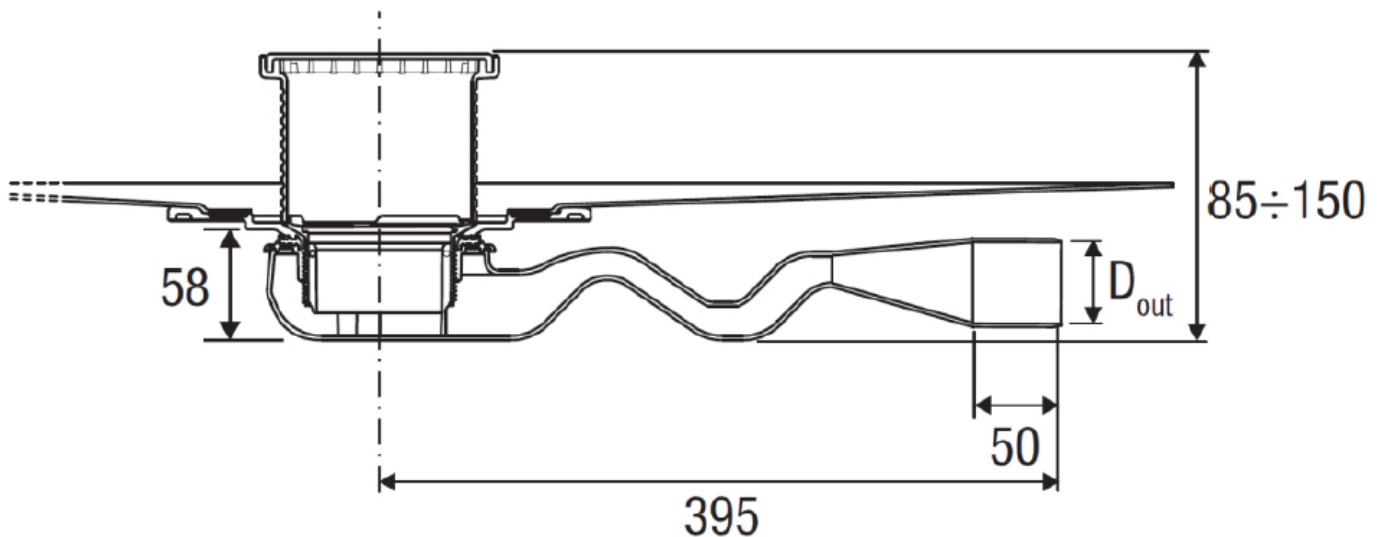
The size of the stainless steel grating is 128x128 mm.

### Charateristics

|                    |                    |
|--------------------|--------------------|
| Code:              | VS0700385          |
| Raw material:      | Polypropylene (PP) |
| Minimum height:    | 58 mm              |
| Inlet diameter:    | 90 mm              |
| Outlet diameter:   | 50 mm              |
| Flow rate:         | 0.82 l/s           |
| Size of PVC sheet: | 1800 x 1800 mm     |



### Size:



PLUMBING

WASTE SYSTEMS



SUPPLY SYSTEMS



GAS SYSTEMS



FLUSH SYSTEMS



BATHROOM SYSTEMS



TRAPS



RADIANT SYSTEMS



DRAINAGE SYSTEMS



HRV SYSTEM



ACADEMY



SEWER SYSTEMS



WATER TREATMENT



BUILDING

**valsir**<sup>®</sup>  
QUALITY FOR PLUMBING

**VALSIR S.p.A.**  
Località Merlaro, 2  
25078 Vestone (BS) - Italy  
Tel. +39 0365 877.011  
Fax +39 0365 81.268  
e-mail: valsir@valsir.it

**www.valsir.com**

Soggetta all'attività di direzione e coordinamento ex art. 2497 bis C.C. da parte di Silmar Group S.p.A. - Codice Fiscale 02075160172

TOP-180/CB FEB/01 - Novembre 2017