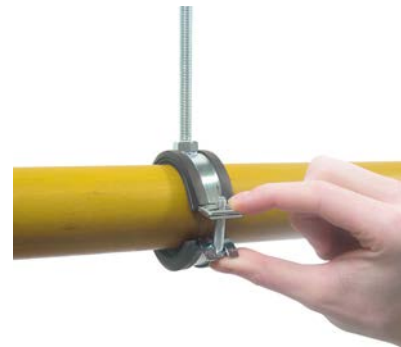


BISMAT[®] Flash

for metal pipes Ø 15 - 63 mm

M8

M8/10



Features and Benefits

- single screw clamp
- with BISMAT[®] Flash quick locking system
- clamp easy to close with one hand
- the locking screw can be secured without use of tools
- material: steel
- zinc plated
- noise insulating lining, EPDM rubber, black
- lining resistant to ageing
- noise insulation tested according to DIN 4109
- optimised noise insulation due to soft closing without tools
- tested for fire safety



RAL-GZ 655/B
Cert.Nr. 2010-23

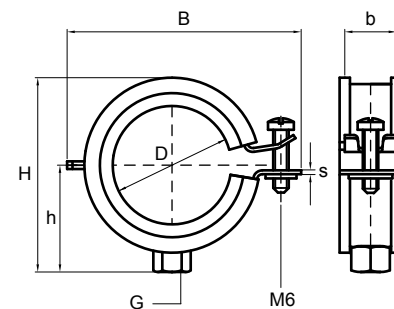


RAL-GZ 656
Cert.Nr. 2011-09

Part No.	D (mm)	D (")	DN (mm)	G	B (mm)	H (mm)	h (mm)	b x s (mm)	Fa,z (N)	RAL	Pack 1
337 3 018	15 - 18	3/8	10	M8	49	36	22	20 x 1,00	500	RAL ²	50
337 3 023	20 - 23	1/2	15	M8	54	39	23	20 x 1,00	500	RAL ²	50
337 3 028	25 - 28	3/4	20	M8	59	44	26	20 x 1,00	500	RAL ²	50
337 3 035	32 - 35	1	25	M8	65	51	30	20 x 1,00	500	RAL ²	50
337 3 043	40 - 43	1 1/4	32	M8	74	60	34	20 x 1,25	700	RAL ²	50
337 3 051	48 - 51	1 1/2	40	M8	82	66	37	20 x 1,25	700	RAL ²	50
337 3 056	53 - 56	-	-	M8	85	76	42	20 x 1,25	700	RAL ²	50
337 3 063	57 - 63	2	50	M8	91	82	45	20 x 1,25	700	RAL ²	50
337 4 018	15 - 18	3/8	10	M8/10	49	44	30	20 x 1,00	500	RAL ²	50
337 4 023	20 - 23	1/2	15	M8/10	54	47	31	20 x 1,00	500	RAL ²	50
337 4 028	25 - 28	3/4	20	M8/10	59	52	34	20 x 1,00	500	RAL ²	50
337 4 035	32 - 35	1	25	M8/10	65	59	38	20 x 1,00	500	RAL ²	50
337 4 043	40 - 43	1 1/4	32	M8/10	74	68	42	20 x 1,25	700	RAL ²	50
337 4 051	48 - 51	1 1/2	40	M8/10	82	74	45	20 x 1,25	700	RAL ²	50
337 4 056	53 - 56	-	-	M8/10	85	84	50	20 x 1,25	700	RAL ²	50
337 4 063	57 - 63	2	50	M8/10	91	90	53	20 x 1,25	700	RAL ²	50

RAL² = tested, certified and externally monitored according to RAL-GZ 655/B and RAL-GZ 656.

For detailed technical information about our RAL marked products, please see the RAL datasheet in our webcatalogue: www.walraven.com/int/catalogue/.



Complementary



BIS Fixing Accessories	455»
BIS Fastenings	529»
BIS RapidRail [®] Fixing System	175»

Further Info

RAL Information BISMAT [®] Flash	15
---	----

RAL Information BISMAT[®] Flash

Max. allowed load (Fa,z) according to RAL-GZ 655/B and RAL-GZ 656

				 Cert. No. 2010-23	 Cert. No. 2011-09								
				RAL-GZ 655/B	RAL-GZ 656								
				F0	F30			F60		F90		F120	
Part No.	Ø (mm)	Connec- tion nut	Catalogue page	Fa,z (N)	Fa,z (N)	Deforma- tion (mm)	Fa,z (N)	Deforma- tion (mm)	Fa,z (N)	Deforma- tion (mm)	Fa,z (N)	Deforma- tion (mm)	
337 3 XXX	15 - 35	M8	A 05 05	500	230	23	100	27	-	-	-	-	
337 3 XXX	40 - 63	M8	A 05 05	700	360	25	190	25	-	-	-	-	
337 4 XXX	15 - 35	M8/10	A 05 05	500	230	23	100	27	-	-	-	-	
337 4 XXX	40 - 63	M8/10	A 05 05	700	360	25	190	25	-	-	-	-	

The max. allowed load (Fa,z) according to RAL-GZ 655/B is calculated using specific statistical methods related to the breaking load and taking into account a deflection of 1,5 mm or 2% of the maximum nominal clamp diameter.

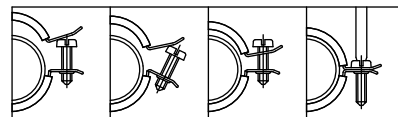
According to the RAL requirements, the test results from above mentioned RAL certified articles are monitored by an independent test institute.

BISMAT[®] 2000

for metal pipes Ø 11 - 63 mm

M8

M8/10



Features and Benefits

- single screw clamp
- with BISMAT[®] quick locking system
- clamp easy to close with one hand
- material: steel
- zinc plated
- noise insulating lining, EPDM rubber, black
- lining resistant to ageing
- noise insulation tested according to DIN 4109
- tested for fire safety



RAL-GZ 655/B
Cert.Nr. 2010-22

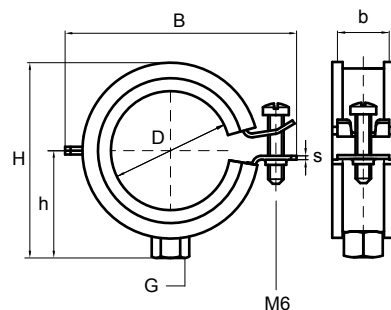


RAL-GZ 656
Cert.Nr. 2011-10

Part No.	D (mm)	D (")	DN (mm)	G	B (mm)	H (mm)	h (mm)	b x s (mm)	Fa,z (N)	RAL ²	Pack 1
341 3 014	11 - 14	¼	8	M8	48	32	20	20 x 1,00	600	-	50
341 3 018	15 - 18	⅜	10	M8	48	36	22	20 x 1,00	600	RAL ²	50
341 3 023	20 - 23	½	15	M8	55	39	23	20 x 1,00	600	RAL ²	50
341 3 028	25 - 28	¾	20	M8	60	44	26	20 x 1,00	600	RAL ²	50
341 3 035	31 - 35	1	25	M8	67	51	30	20 x 1,00	600	RAL ²	50
341 3 043	40 - 43	1¼	32	M8	75	60	34	20 x 1,25	800	RAL ²	50
341 3 053	48 - 51	1½	40	M8	85	66	37	20 x 1,25	800	RAL ²	50
341 3 054	53 - 56	-	-	M8	89	72	40	20 x 1,25	800	RAL ²	50
341 3 063	57 - 63	2	50	M8	94	78	43	20 x 1,25	800	RAL ²	50
340 3 018	15 - 18	⅜	10	M8/10	48	44	30	20 x 1,00	600	RAL ²	50
340 3 023	20 - 23	½	15	M8/10	55	47	31	20 x 1,00	600	RAL ²	50
340 3 028	25 - 28	¾	20	M8/10	60	52	34	20 x 1,00	600	RAL ²	50
340 3 035	31 - 35	1	25	M8/10	67	59	38	20 x 1,00	600	RAL ²	50
340 3 043	40 - 43	1¼	32	M8/10	75	68	42	20 x 1,25	800	RAL ²	50
340 3 053	48 - 51	1½	40	M8/10	85	74	45	20 x 1,25	800	RAL ²	50
340 3 054	53 - 56	-	-	M8/10	89	80	48	20 x 1,25	800	RAL ²	50
340 3 063	57 - 63	2	50	M8/10	94	86	51	20 x 1,25	800	RAL ²	50

RAL² = tested, certified and externally monitored according to RAL-GZ 655/B and RAL-GZ 656.

For detailed technical information about our RAL marked products, please see the RAL datasheet in our webcatalogue: www.walraven.com/int/catalogue/.



Alternative

BISMAT[®] Flash 14

Complementary

BIS Fixing Accessories 455»

BIS Fastenings 529»

BIS RapidRail[®] Fixing System 175»